

# ABB Joint

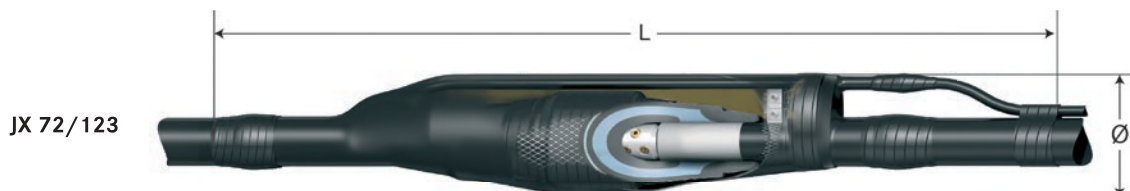
## JX PREMOLDED ONE PIECE CABLE JOINT

Premolded cable joints for XLPE insulated cables with aluminum or copper conductors and various types of cable screens and cable sheaths. The joint is available with or without integrated screen interruption for cross bonding of cable screens. Designed to meet the requirements of internationally accepted standards.

The joint body is made of rubber in three layers: a conductive inner layer, an insulating layer, and a conductive outer layer in one piece. The cable joint is supplied with a heat-shrink outer jacket.

- Available with or without screen interruption
- Supplied with bolted connector
- Designed with heat-shrink outer jackets with additional sealing at all ends to prevent longitudinal water ingress
- Includes a heat-shrink crutch-seal and filling compound for moisture and mechanical protection of outgoing cross-bonding cable
- Meets the requirements of IEC 60840 including Annex G, IEC 62067 including Annex G, and IEEE 404 (JX 245) where applicable
- JX 245 available with prefabricated PUR casted copper casing for cable with metallic sheath

Type	JX	JX	JX
Operation Voltage Um (kV)	72	123	245
Conductor Cu/Al Max. (kcmil)	3000	5000	5000
Diameter Over Dielectric Min.-Max. (inches)	1.3-3.0	1.8-3.9	2.9-4.7
Diameter Over Jacket Max. (inches)	3.7	7.5	5.6
Length (inches)	70.9	70.9	70.9
Outer Diameter (inches)	9.3	11.8	11.8
Insulation Material	Silicone	Silicone	EPDM



# nkt cables Joint

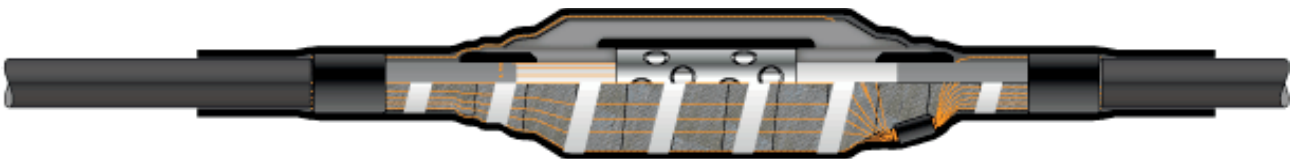
## KSME/SME PREMOLDED ONE PIECE CABLE JOINT

This premolded straight joint in one piece design with compact dimensions is made of silicone rubber. Main components of the standard straight joint are conductor connection sleeve, main joint sleeve, and outer protective covering.

- Very short and compact design
- Easy push on installation
- Minimum tools and installation space needed
- Screw or compression type conductor connector
- Version with screen separation available
- Additional outer protection housings available
- Type test certificate in accordance with IEC 60840/62067 available

Operation Voltage Um (kV)	Type	Conductor Cu/Al Max. (kcmil) <sup>1</sup>	Diameter Over Dielectric Max. (inches)	Diameter Joint Approx. (inches)	Length Joint Approx. (inches)
72	KSME/SME 72 Size 36	1250	2.1	5.9	70.9
72	KSME/SME 72 Size 46	2000	2.6		
145	KSME/SME 145 Size 4	3000	3.3	6.7	78.7
145	KSME/SME 145 Size 6	5000	4.7	9.4	92.5
245	KSME/KSM 245 Size 6	5000	4.7	9.4	92.5

<sup>1</sup>2500 up to 5000 kcmil special crimping tool is required.



# ABB Joint

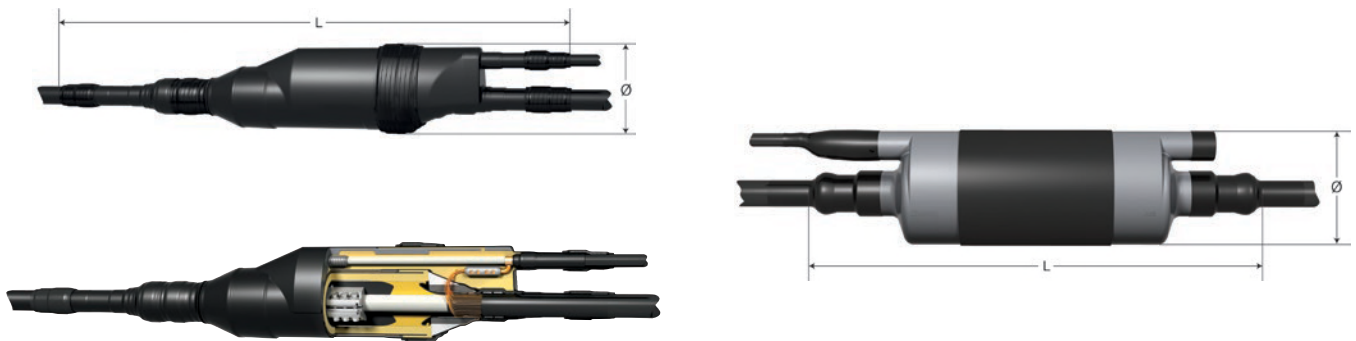
## SMPGB PREMOLDED THREE PIECE CABLE JOINT

Premolded cable joints for XLPE insulated cables with aluminum or copper conductors and various types of cable screens and cable sheaths. The joint is available with or without integrated screen interruption for cross bonding of cable screens. Designed to meet the requirements of internationally accepted standards.

The joint consists of a premolded rubber tube, two premolded rubber adaptors, and a bolt cable clamp. Bolt technology facilitates jointing of the conductor and also allows jointing of different cross sections.

- Available with or without screen interruption
- Supplied with bolted connector
- Prefabricated PUR casted copper casing for cable with metallic sheath
- Accommodates transition between different cable types and sizes
- Meets the requirements of IEC 60840 including Annex G, IEC 62067 including Annex G, and IEEE 404 where applicable

Type	SMPGB	SMPGB	SMPGB
Operation Voltage Um (kV)	145	170	420
Conductor Cu/Al Max. (kcmil)	5000	5000	5000
Diameter Over Dielectric Min.-Max. (inches)	1.9-4.2	2.4-4.2	3.1-4.9
Diameter Over Jacket Max. (inches)	5.1	5.1	6.1
Length (inches)	88.5	88.5	78.7
Outer Diameter (inches)	9.6	9.6	22.6
Insulation Material	EPDM	EPDM	EPDM



# nkt cables Joint

## SM PREMOLDED THREE PIECE CABLE JOINT



This premolded joint in three-piece design with compact dimensions is made of silicone rubber. Main components of the standard joint are conductor connection, cable adapters, main joint sleeve, and outer protective covering.

- Integrated premolded stress control system with silicone rubber
- Three piece design with compact dimensions
- Screw type or compression conductor connector
- Minimal tool requirement
- Rugged compound-filled metallic casing
- Sealed ABS composite housing for complete moisture tightness
- Version with screen separation available
- Meets the requirements of IEC 60840 including Annex G, IEC 62067 including Annex G, and IEEE 404 where applicable

Operation Voltage Um (kV)	Type	Conductor Cu/Al Max. (kcmil)	Diameter Over Dielectric Max. (inches)	Diameter Joint Approx. (inches)	Length Joint Approx. (inches)
72	SM 72-S Size 3	2500	3.0	16.6	69.3
72	SM 72-S Size 4	3000/2500	3.3		77.4
72	SM 72-S Size 6	5000/2500	4.3		82.9
115	SM 115-S Size 3	2500	3.0	16.6	69.3
115	SM 115-S Size 4	3000/2500	3.3		77.4
115	SM 115-S Size 6	5000/2500	4.3		82.9
145	SM 145-S Size 4	3000/2500	3.3	16.6	77.4
145	SM 145-S Size 6	5000/2500	4.3		82.9
245	SM 245-S Size 7	5000/2500	4.3	18.6	82.9
345/420	SM 420-S Size 8	5000	4.8	26.4	93.3

<sup>1</sup>2500 up to 5000 kcmil special crimping tool is required

