

# Messenger Clamp

## Messenger Clamp

### Construction

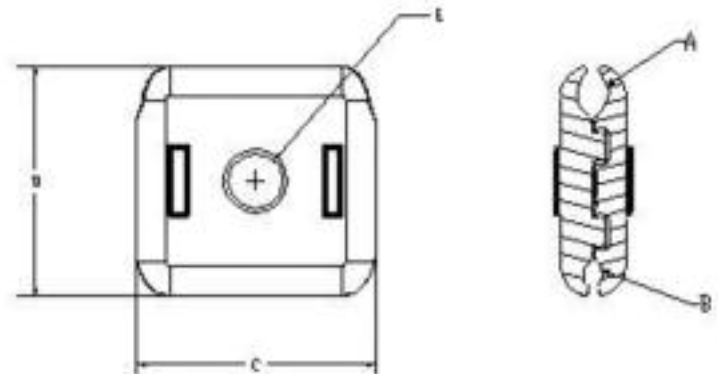
The Messenger Clamp is made of hot dipped galvanized ductile iron

### Features

- Corrosion resistant
- Designed to allow roll-by installation of Covered Aerial MV cables
- Will support a wide range of messenger sizes

### Application

The Messenger Clamp has two grooves that allow the installation of both 252 and 052 AWA messengers as well as Alumoweld messengers. While the clamp is always supplied with one of the Tangent Brackets that are offered by Southwire, we have also made this part available should additional clamps be required for maintenance or other reasons.



Southwire Stock #	Description	Hendrix Cat. No.	Dimensions (in)					Weight (lbs)
			A	B	C	D	E	
64947601	Messenger clamp	MC-2	0.375 - 0.5	.25	3.5	3.35	0.866	1.8