

# Double Insulator Plate

## Construction

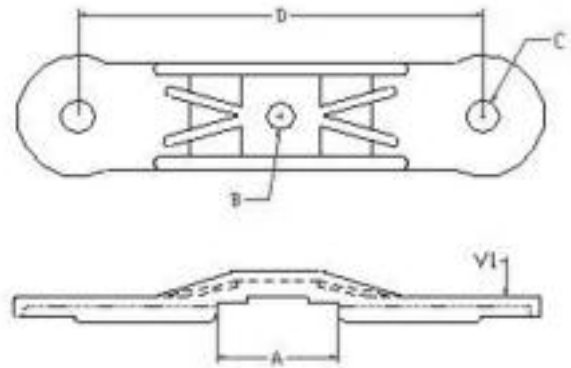
The Double Insulator Plate is cast from ductile iron and is hot dipped galvanized for corrosion resistance. The Double Insulator Plate comes complete with machine bolt and nut for installation to any corner bracket.

## Features

- Manufactured by casting from ductile iron
- Corrosion resistant
- Drilled for 10" insulator spacing

## Application

The Double Insulator Plate is used where large angles are traversed by the Covered Aerial MV cable. This Insulator Plate allows the mechanical forces from the acute angle to be divided between two pin insulators.



Southwire Stock #	Description	Hendrix Cat. #	Dimensions (in)				Min. Ultimate Strength V1 (lbs)	Weight (lbs)
			A	B	C	D		
64999901	Double Insulator Plate	2IP	3.0	.65	.8	11	1750	4