

Heavy Duty Thimble Clevis

Construction

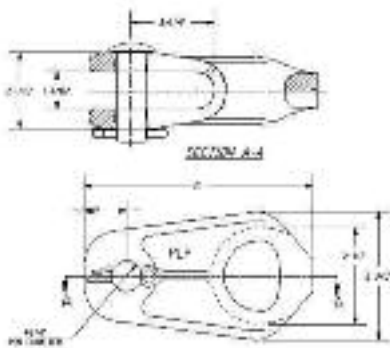
The Heavy Duty Thimble Clevis is made of hot dipped ductile iron for corrosion resistance. The clevis pin has a humped cotter key.

Features

- Excellent corrosion Resistance
- Ultimate strength of 42,400 pounds
- Incorporates a humped cotter pin

Application

The Heavy Duty Thimble Clevis is often used to attach guy wires to pole eyes in normal pole line construction. In this application, it is used to dead-end the messenger to the pole when higher line tensions are required. The Thimble Clevis can be used with all conductor and messenger dead ends.



Thimble Clevis

Construction

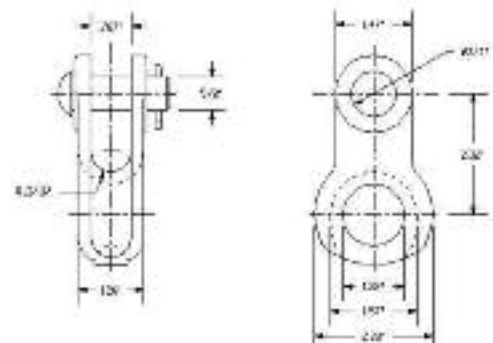
The Thimble Clevis is manufactured from hot dipped ductile iron for corrosion resistance. The Thimble Clevis incorporates a 5/8" pin for attachment to the bracket.

Features

- Excellent corrosion resistance

Application

The Thimble Clevis has a 1.57" diameter wire loop that is used to attach a preshaped messenger grip or change to a preshaped or formed to a dead-end bracket where lower cable tensions (< 17,000 lbs) are required and where smaller size ($\leq 0.945"$) formed wire dead-ends and wedge type dead-ends are used.



Shackle Clevis**Construction**

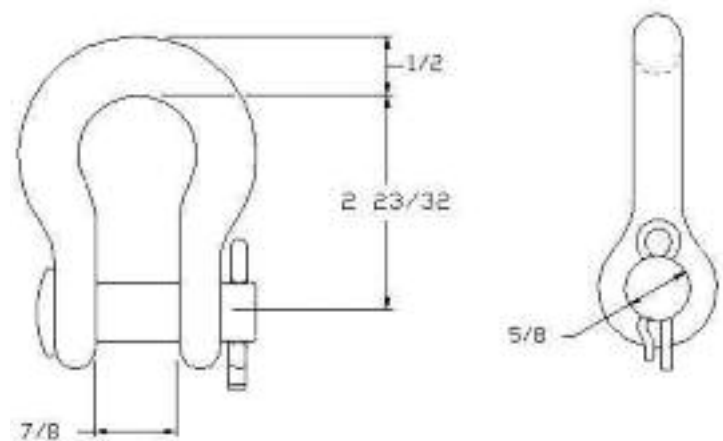
The Shackle Clevis is manufactured from drop forged steel and is hot dipped galvanized for corrosion resistance. The Shackle Clevis incorporates a 5/8" diameter pin.

Features

- Excellent corrosion resistance

Application

The Shackle Clevis is most often used to attach the polymer dead-end insulators to the dead-end brackets.



Southwire Stock #	Description	Hendrix Cat #	Weight (lbs)	Ultimate Strength (lbs)
64999401	Shackle Clevis	SC	.78	25,000
64991401	Thimble Clevis	TC	1.1	17,000
64987501	Heavy Duty Thimble Clevis	HDTC	2.8	42,400