

Construction

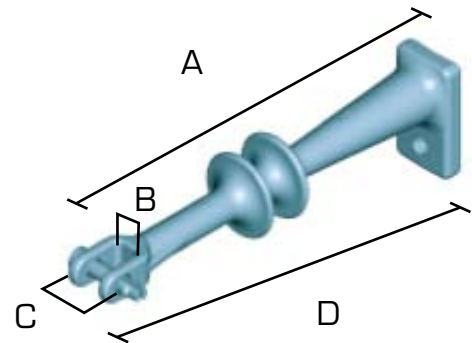
The Anti-sway Brackets are manufactured from track-resistant polyurethane. The Brackets are injection molded and are designed to be used with the various tangent brackets and spacers that are supplied by both Southwire and other manufacturers of Covered Aerial MV systems.

Features

- Designs that allow flexibility in attachment to the pole
- Compatible and interchangeable with other manufacturers accessories
- Lightweight and shatter resistant
- UV resistant

Application

The Anti-sway Bracket is used to prevent movement of the assembled Covered Aerial MV system from swinging on the messenger and making contact with the pole. It prevents fatigue and breakage of transformer and tap connections caused by conductor movement. A variety of brackets are offered to facilitate easy installation to the pole or structure.



Southwire Stock #	Description	Hendrix Cat #	Dimensions (in)				Weight (lbs)
			A	B	C	D	
64977901	Anti-sway Bracket, 14" Surface Mount	BAS-14F	12.5	0.8	1.5	13.25	0.55
64978101	Anti-sway Bracket, 14" Side Mount	BAS-14S	17.8	0.8	1.5	18.5	TBD
64978201	Anti-sway Bracket, 24" Surface Mount	BAS-24F	22.5	0.8	1.5	23.25	0.75