

Construction

The 15kV Tangent (“L”) Bracket is manufactured from a hot dipped galvanized ductile iron. The 46kV Tangent (“L”) Bracket is manufactured from a corrosion-resistant aluminum magnesium alloy. The bracket includes a messenger clamp which has two grooves that allow the installation of both 252 and O52 AWA messengers as well as AW messengers.

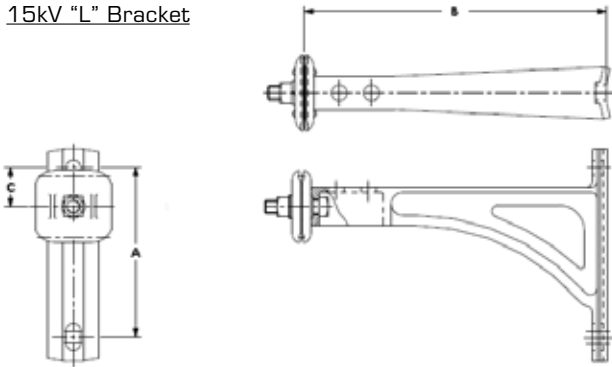
Features

- Ductile iron construction for higher strength (15kV)
- Aluminum alloy construction for lighter weight (46kV)
- Low profile design without loss of strength
- Corrosion resistant

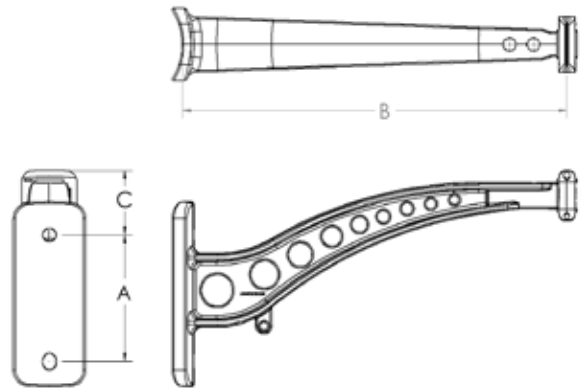
Application

The Tangent (“L”) Bracket has the function of supporting the messenger of a Covered Aerial MV system on tangent supports with angles up to 6 degrees

15kV “L” Bracket



Up to 46kV “L” Bracket



Southwire Stock #	Description	Hendrix Cat #	Dimensions (in)			System Voltage (kV)	Rated Vertical Load (lbs)	Weight (lbs)
			A	B	C			
64947401	15kV “L” Bracket	BM-14A	8.0	14.0	1.8	15	2250	10
64976801	Tangent “L” Bracket, for up to 46kV	BM-24A	8.0	24.0	4	up to 46	4000	10