

Construction

The 35kV Spacer is injection molded from grey track-resistant high-density polyethylene. The 35kV Spacer is designed with two different cable attachment devices: Silicone Ring Ties for conductors and messengers or PREFORMED™ Messenger Ties (for messenger only) to hold the cable in the spacer saddle.

Features

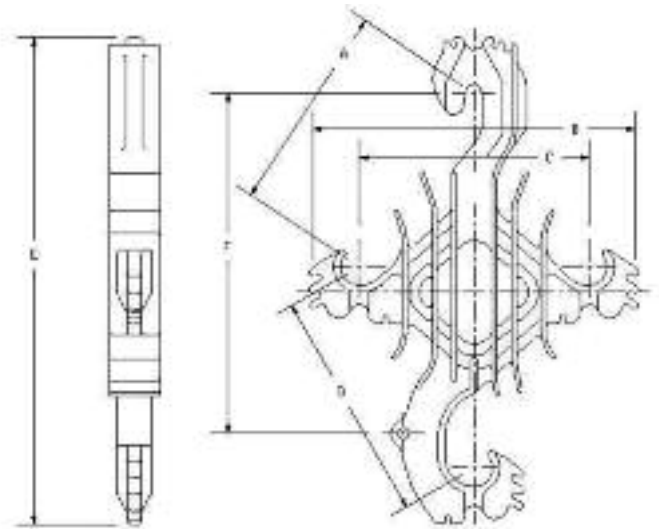
- Dielectrically compatible with Southwire polyethylene covered conductors or other polyethylene covered conductors
- 35kV Spacer is molded from grey high-density track-resistant polyethylene compound
- UV resistant
- Lightweight and shatter resistant

Application

The 35kV Spacer is used in 25kV - 46kV overhead distribution systems with covered conductors. The 35kV Spacer was developed to meet the electrical, mechanical and environmental parameters typical of overhead distribution lines. The spacer is hung on the messenger cable and is used to support and space the phase conductors of the three-phase circuit.

Specification

ASTM D1248
ASTM D2303



Southwire Stock #	Description	Hendrix Cat. #	Dimensions (in)					
			A	B	C	D	E	F
64987401	35kV Spacer	H-46D	9.7	15.3	10.6	10.7	22.6	15.75

Southwire Stock #	Min. Leakage Distance (in)	Max. Messenger Diameter (in)	Max. Conductor Diameter (in)	Max. System Voltage (kV)	Short Circuit Rating (kA)	Weight (lbs)
64987401	17.7	0.75	1.8	35	13.5	3.3